

Canon

PUB. DIE-0448-000A

HD Camcorder
Instruction Manual

VIXIA
HF R50

VIXIA
HF R52

VIXIA
HF R500



NTSC



HF R52/R50

HDMI

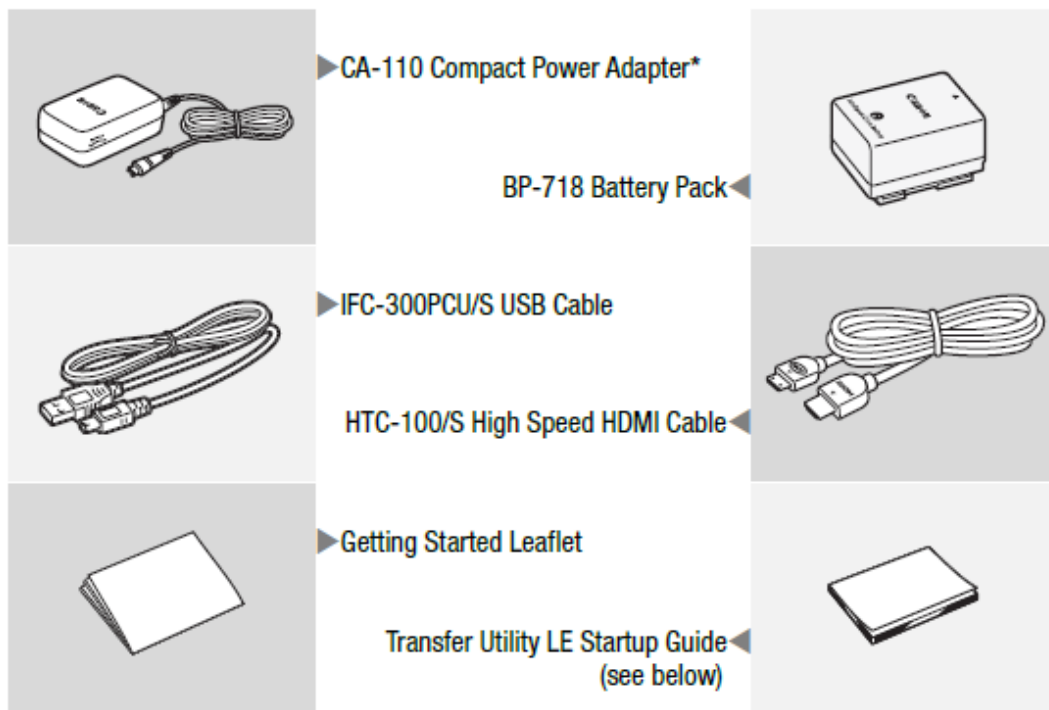
AVCHD
Progressive

MP4



Supplied Accessories

The following accessories are supplied with the camcorder:



* CA-110E, including power cord, in Asia.

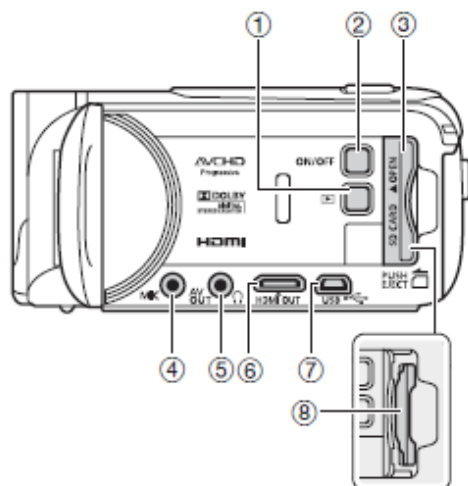
Transfer Utility LE Startup Guide: This guide explains how to download PIXELA's **Transfer Utility LE** software, which allows you to save your AVCHD movies and transfer music files to the camcorder or to a memory card. For details on using the software, refer to the '**Transfer Utility LE Software Guide**' included with the downloaded software.

i NOTES

- The camcorder may make a rattling sound if it is shaken (📖 162).

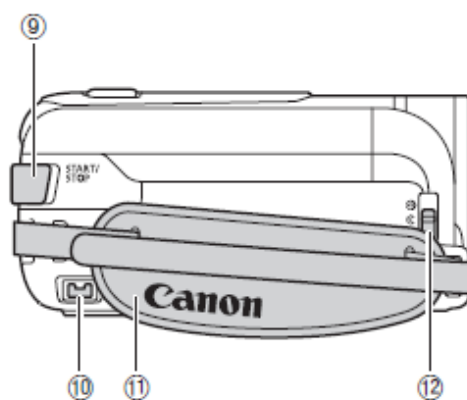
Names of Parts

Left side view

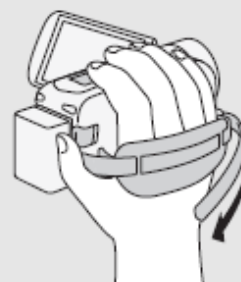


- ① (playback mode) button (📖 46)
- ② ON/OFF button
- ③ Memory card slot cover (📖 24)
- ④ MIC (microphone) terminal (📖 83)
- ⑤ AV OUT terminal (📖 98, 100)/
 (headphones) terminal (📖 82)
- ⑥ HDMI OUT terminal (📖 98, 99)
- ⑦ USB terminal (📖 98, 100)
- ⑧ Memory card slot (📖 24)
- ⑨ START/STOP button (📖 37)
- ⑩ DC IN terminal (📖 20)
- ⑪ Grip belt

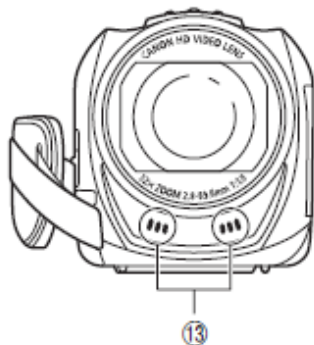
Right side view



Adjust the grip belt so that you can reach the zoom lever with your index finger, and the **START/STOP** button with your thumb.



Front view



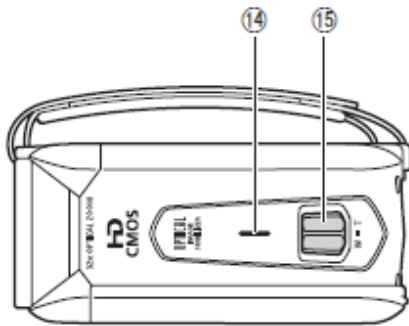
- ⑫ Lens cover switch

Move the lens cover switch down to to open the lens cover.

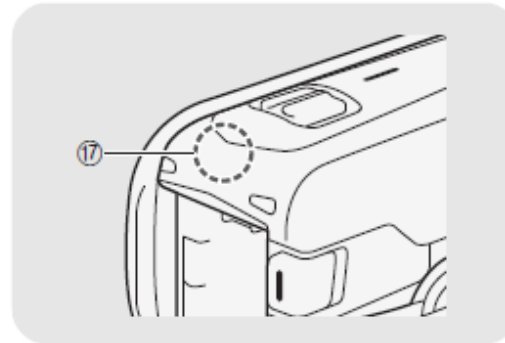


- ⑬ Stereo microphone (📖 144)

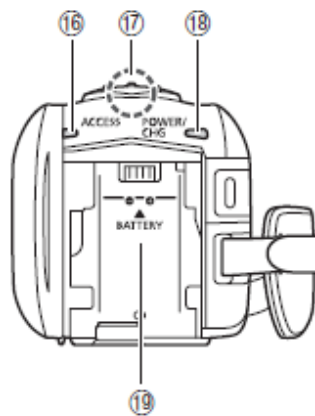
Top view



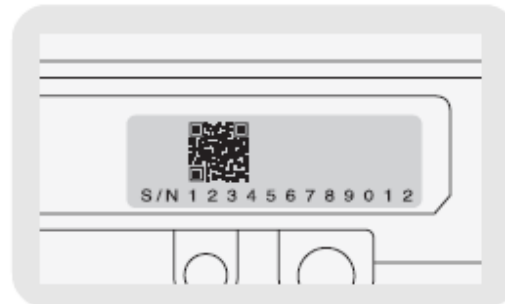
- ⑭ Speaker (49)
- ⑮ Zoom lever (43)
- ⑯ ACCESS indicator (37, 40)
- ⑰ **HFR52/R50** Wi-Fi antenna (119)



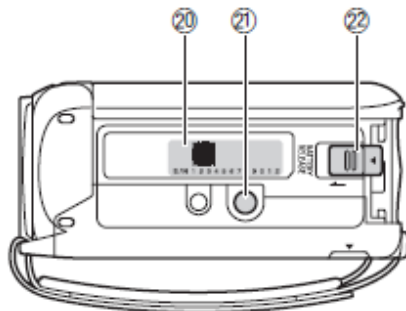
Back view



- ⑱ POWER/CHG (charge) indicator:
Green - On
Red - Charging (20)
- ⑲ Battery attachment unit (20)
- ⑳ Serial number

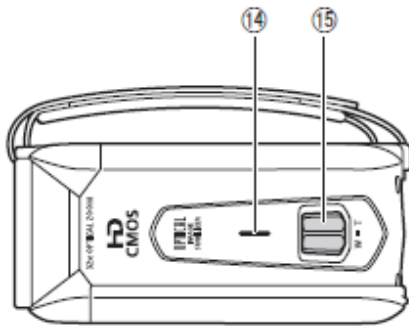


Bottom view

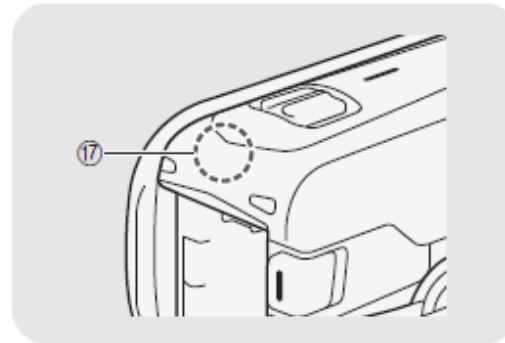


- ㉑ Tripod socket (176)
- ㉒ BATTERY RELEASE switch (21)

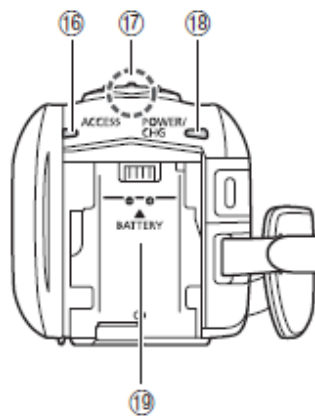
Top view



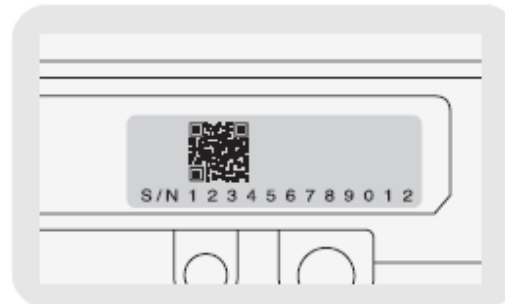
- ⑭ Speaker (49)
- ⑮ Zoom lever (43)
- ⑯ ACCESS indicator (37, 40)
- ⑰ **HFR52/R50** Wi-Fi antenna (119)



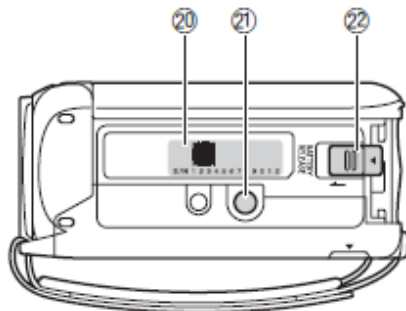
Back view



- ⑱ POWER/CHG (charge) indicator:
Green - On
Red - Charging (20)
- ⑲ Battery attachment unit (20)
- ⑳ Serial number



Bottom view



- ㉑ Tripod socket (176)
- ㉒ BATTERY RELEASE switch (21)



Preparations

This chapter describes basic operations, such as using the touch panel, navigating the menus, and first time settings to help you learn more about your camcorder.

Getting Started

Charging the Battery Pack

The camcorder can be powered with a battery pack or directly using the compact power adapter.

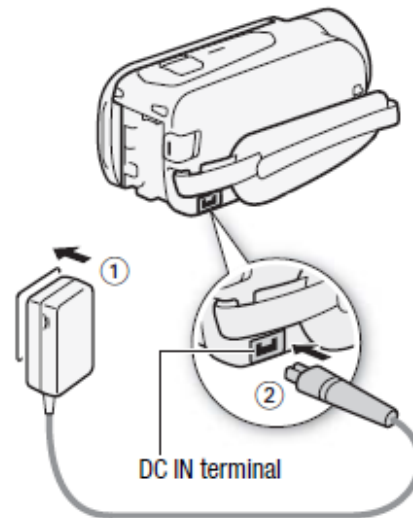
1 Plug the compact power adapter into a power outlet.

For Asia only: Connect the power cord to the compact power adapter before plugging the power cord into the power outlet.

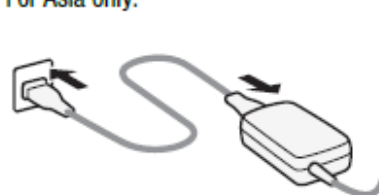
2 Connect the compact power adapter to the camcorder's DC IN terminal.

3 Attach the battery pack to the camcorder.

Press the battery pack softly into the battery attachment unit and slide it up until it clicks in place.



For Asia only:





Preparations

This chapter describes basic operations, such as using the touch panel, navigating the menus, and first time settings to help you learn more about your camcorder.

Getting Started

Charging the Battery Pack

The camcorder can be powered with a battery pack or directly using the compact power adapter.

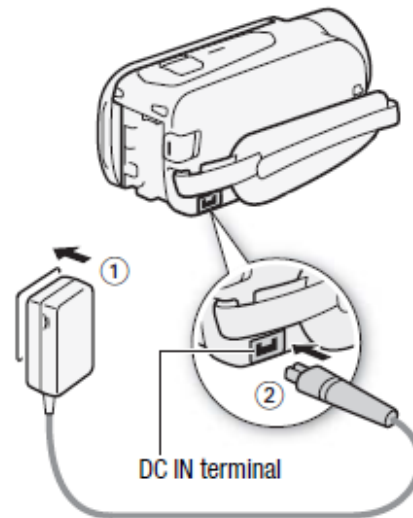
1 Plug the compact power adapter into a power outlet.

For Asia only: Connect the power cord to the compact power adapter before plugging the power cord into the power outlet.

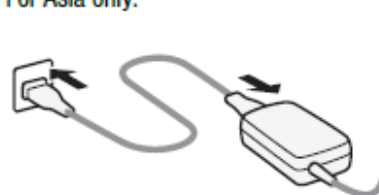
2 Connect the compact power adapter to the camcorder's DC IN terminal.

3 Attach the battery pack to the camcorder.

Press the battery pack softly into the battery attachment unit and slide it up until it clicks in place.



For Asia only:



! IMPORTANT

- If you use an SDXC memory card with a computer OS that is not SDXC-compatible, you may be prompted to format the memory card. In such case, **cancel the operation to prevent data loss.**

Inserting and Removing a Memory Card

To use a memory card for recording, turn off the camcorder and insert the memory card before performing the initial setup. After completing the initial setup, initialize the memory card (📖 29).

1 Open the LCD panel.

If this is the first time you turn on the camcorder, the language selection screen of the initial setup screens will appear.

2 Press **ON/OFF to turn off the camcorder.**

Make sure the POWER/CHG indicator is off.

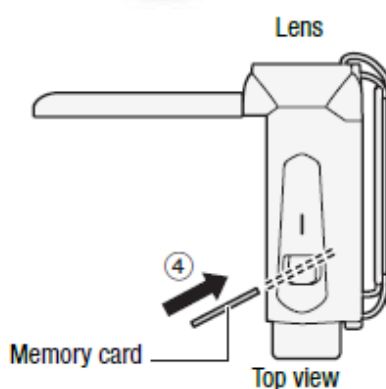
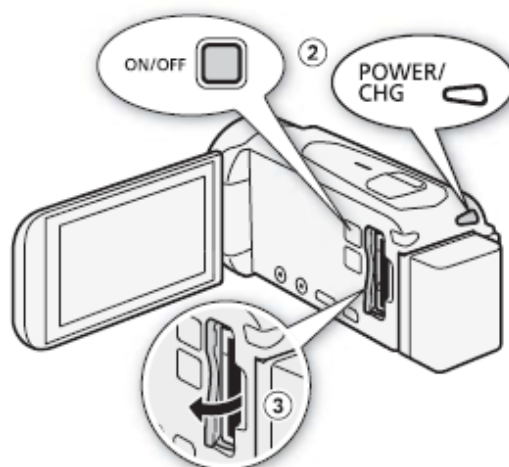
3 Open the memory card slot cover.

4 Insert the memory card at a slight angle, with the label facing toward the lens, all the way into the memory card slot until it clicks.

The memory card slot is at a slight angle toward the lens so be careful not to damage the memory card when inserting it.

5 Close the memory card slot cover.

Do not force the cover closed if the memory card is not correctly inserted.



! IMPORTANT

- If you use an SDXC memory card with a computer OS that is not SDXC-compatible, you may be prompted to format the memory card. In such case, **cancel the operation to prevent data loss.**

Inserting and Removing a Memory Card

To use a memory card for recording, turn off the camcorder and insert the memory card before performing the initial setup. After completing the initial setup, initialize the memory card (📖 29).

1 Open the LCD panel.

If this is the first time you turn on the camcorder, the language selection screen of the initial setup screens will appear.

2 Press **ON/OFF to turn off the camcorder.**

Make sure the POWER/CHG indicator is off.

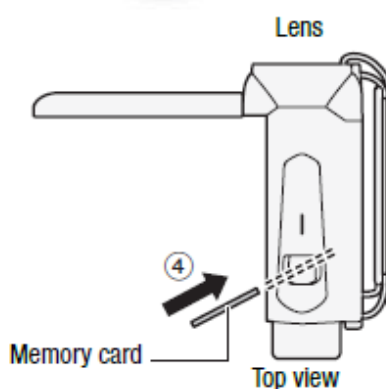
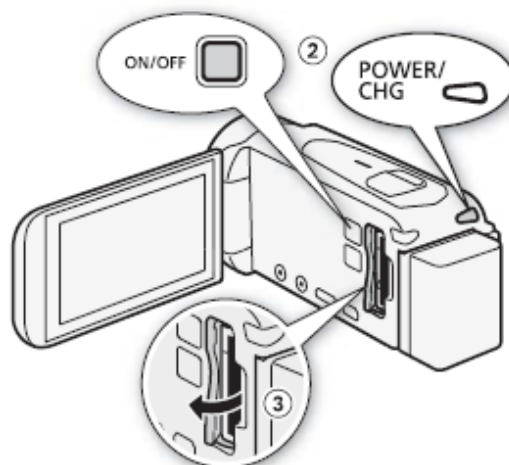
3 Open the memory card slot cover.

4 Insert the memory card at a slight angle, with the label facing toward the lens, all the way into the memory card slot until it clicks.

The memory card slot is at a slight angle toward the lens so be careful not to damage the memory card when inserting it.

5 Close the memory card slot cover.

Do not force the cover closed if the memory card is not correctly inserted.



To remove the memory card

Push the memory card once to release it. When the memory card springs out, pull it all the way out.

IMPORTANT

- Memory cards have front and back sides that are not interchangeable. Inserting a memory card facing the wrong direction can cause a malfunction of the camcorder. Be sure to insert the memory card as described in step 4.



Basic Shooting and Playback

This chapter covers how to record video and photos, how to use the convenient **AUTO** mode and other basic functions. To enjoy full access to menus and more advanced functions, refer to *Advanced Shooting* (□ 56) and *Advanced Playback and Editing* (□ 85).

Basic Recording

Shooting Video

You can easily record movies with the camcorder.

Operating modes:

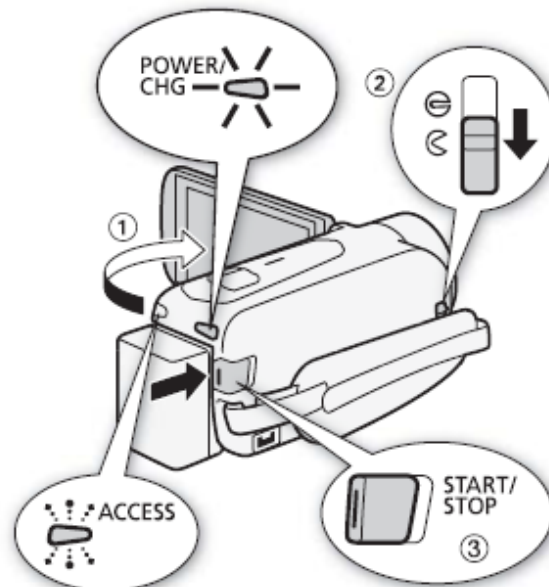


POINTS TO CHECK

- **Before you begin recording**, make a test recording first to check that the camcorder is operating correctly.

1 Open the LCD panel to turn on the camcorder.

- You can also press **ON/OFF**.
- **HFR52/R50** By default, movies are recorded in the built-in memory. You can select the memory that will be used to record movies (□ 58).
- By default, the camcorder will record in **AUTO** mode. You can select a different shooting mode according to the shooting conditions (□ 59).



2 Slide the lens cover switch down.

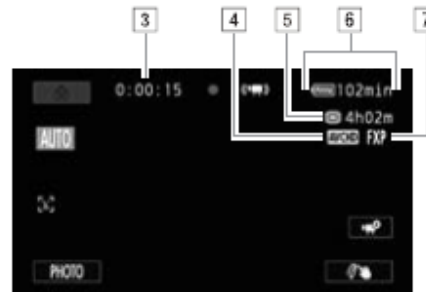
3 Press **START/STOP** to begin recording.

- Press **START/STOP** again to stop recording.
- The ACCESS indicator will flash from time to time while the scene is being recorded.

Recording standby:



While recording:



- 1 Shooting mode (□□ 59)
- 2 Number of scenes recorded
- 3 Scene counter (hours : minutes : seconds)
- 4 Video format (□□ 56)
- 5 Remaining recording time on the memory
- 6 Remaining battery charge
- 7 Video quality (□□ 56)

When you have finished recording

1 Make sure that the ACCESS indicator is off.

2 Close the LCD panel to turn off the camcorder.

You can also press **ON/OFF**.

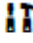

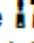



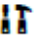

3 Slide the lens cover switch up.

! IMPORTANT

- To protect the lens, keep the lens cover closed when you are not recording.
- Observe the following precautions while the ACCESS indicator is on or flashing. Failing to do so may result in permanent data loss or damage to the memory.

- Do not open the memory card slot cover.
- Do not disconnect the power source or turn off the camcorder.
- Do not change the camcorder's operating mode.
- Be sure to save your recordings regularly (📖 103), especially after making important recordings. Canon shall not be liable for any loss or corruption of data.

NOTES

- **About the power saving mode:** If  ➤  ➤ [Auto Power Off] is set to **[ON On]**, the camcorder will shut off automatically to save power when it is powered by a battery pack and is left without any operation for 3 minutes. Should this happen, turn the camcorder back on.
- When recording in bright places, it may be difficult to use the LCD screen. In such cases, you can adjust the LCD backlight with the  ➤  ➤ [LCD Backlight] setting or adjust the brightness of the LCD screen with the  ➤  ➤ [LCD Brightness] setting.
- If you plan on making a long recording while the camcorder is in a fixed position, such as on a tripod, you can record with the LCD panel closed in order to conserve the battery's power. In such case, make sure  ➤  ➤ [Power On Using LCD Panel] is set to [Off].