

**WOLFVISION**

**INSTRUCTIONS  
BEDIENUNGSANLEITUNG  
VZ-8light<sup>4</sup>**



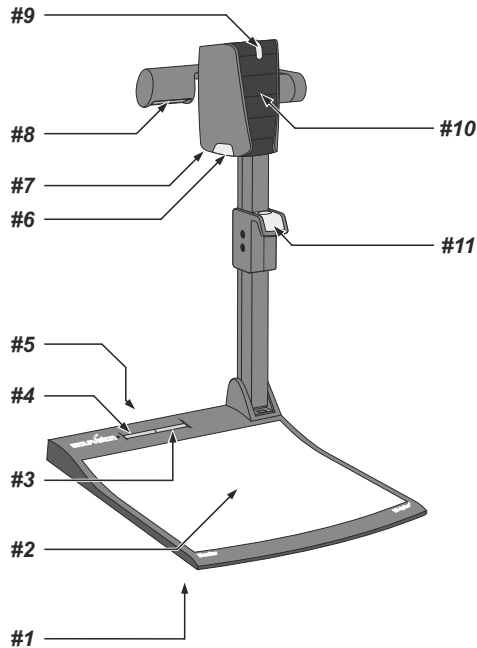
**ENGLISH / DEUTSCH**

---

Check out our internet homepage for additional information  
[www.wolfvision.com/support](http://www.wolfvision.com/support)

---

## Components of the Visualizer

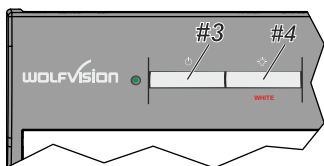


- #1 **Alternative anti-theft security** (found underneath the unit as shown on page 17)
- #2 **Working surface** (see page 6)
- #3 **LIGHT** key (see page 5)
- #4 **POWER** key and Power indication LED (see page 5)
- #6 **Connectors** (on the back of the unit as shown on next page)
- #7 **Close up lens** for camera (see page 7)
- #8 **Light source**
- #9 **Zoom wheel** (see page 5)
- #10 **Camera keys** (see page 5)
- #11 **Pull pad** to lift the arm up/down (see page 6)

## Keys on the Visualizer

One of the great features of WolfVision's Portable Desktop Visualizers is that only the most necessary keys are on the unit itself. Therefore anyone can use it without instructions.

### Base



#### #3 LIGHT key

Switches the top light on and off.

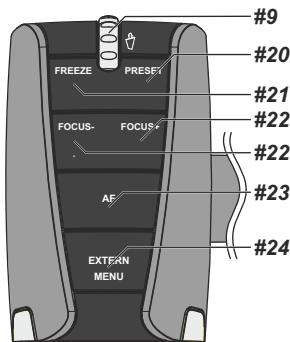
The LIGHT key also works as a ONE PUSH WHITE BALANCE key if pressed for 2 seconds (see page 9).

#### #4 POWER key

Switches the unit on and off. When switching the unit on the Visualizer automatically runs power-on preset.

### Camera Head

#### Standard mode



#### #9 ZOOM WHEEL

Turn the wheel down to zoom in (TELE), and up to zoom out (WIDE). The more you turn the ZOOM WHEEL, the faster the zooming works. Using the ZOOM keys (wheel) also switches auto iris on again.

#### #20 PRESET key / menu: select key - right

For storing the preset, press the PRESET key for more than 2 seconds. For recalling the preset, press the PRESET key quickly (see page 8).

When on-screen menu is activated, it works as select key (see page 14).

#### #21 FREEZE key / menu: select key - left

Freezes the current image. The FREEZE light indicates if the FREEZE-mode is activated.

When on-screen menu is activated, it works as select key (see page 14).

#### #22 Manual FOCUS keys / menu: navigation key - up and down

When the Manual FOCUS keys are pressed the Visualizer switches off the autofocus function.

Using the AF-key switches the autofocus function on again (see page 8).

When the on-screen menu is activated, it functions as navigation keys (see page 14).

#### #23 AUTO FOCUS (AF) key / menu: help key

Switches the auto focus on and off. The AF light indicates if the AF is switched on (see page 8).

When on-screen menu is activated, it functions as Help key. Pressing this key for 2 seconds resets the selected menu item (see page 14).

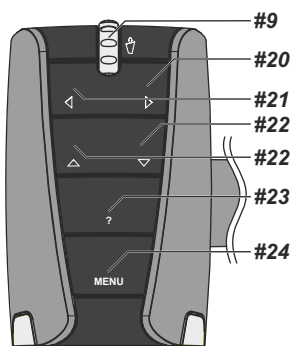
#### #24 EXTERN key / MENU key

Switches between Visualizer image and external input (for more details - see page 13).

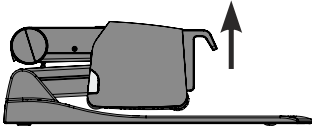
The EXTERN light indicates that a signal from the external input is shown.

Pressing this key for 2 seconds activates the on-screen menu (see page 14).

#### Menu mode



## Setting Up the Visualizer



1. Connect the power pack to the POWER (#18)  
Alternative PoE+ can be used (see page 11).
2. Connect your display device (projector, monitor, video conferencing unit etc.) to the appropriate output of the Visualizer (#13, #14, #17 or #19).

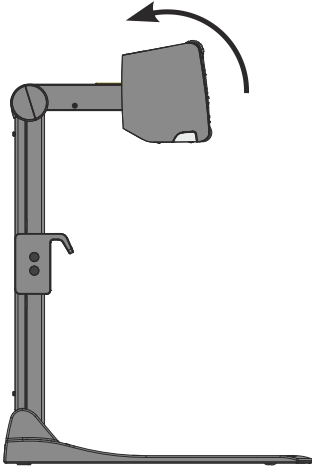
**IMPORTANT:**

For choosing the right resolution on RGB and HDMI outputs please read the detailed description on page 12!

3. Use the pull pad (#11) only to lift the arm upwards
4. Turn camera head to working position (light cannot be turned).
5. Switch on the Visualizer with the POWER key.

**IMPORTANT:**

To fold the Visualizer, use pull pad only (#11)!



### Power-on preset:

The power-on preset is automatically activated when switching on the unit. The settings are: middle zoom size (approx. image width of 14 cm) autofocus: on, auto iris: on.

As soon as the Power Indication LED stays green illuminated, you can start working with the Visualizer. The behavior of the unit once the power has been supplied or after the POWER key has been pressed can be changed in the unit's on-screen menu (see page 14).

## Working Surface

The working surface of the Visualizer (#2) has a special crystalline white color, which is especially designed for perfect reproduction of transparencies.

In the following cases, an optional lightbox is recommended:

- If the transparency is very dark
- If the transparency is very wavy and causes reflections
- If the room light causes reflections on a transparency

The optional whiteboard foil can be used for direct annotation with special whiteboard markers. WolfVision offers spare whiteboard foils.

More information on markers and sponge cleaners at [www.wolfvision.com/wolf/thirdparty.html](http://www.wolfvision.com/wolf/thirdparty.html)